

LED BR30 LAMP

10.5 Watt



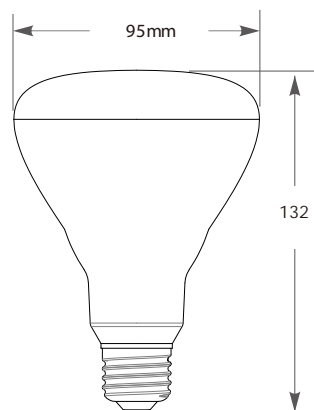
Application

- Living Rooms
- Dens
- Art Gallery
- Museum
- Hospital
- Offices

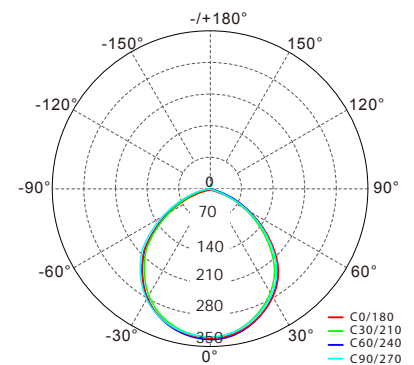
Advantages

- New smooth outer housing
- 120 degree beam angle
- Energy efficiency: 80% more efficient than incandescent

| | |
|------------------|---|
| Product Code | LBR3001030 |
| Watts | 10.5 |
| Watts Equiv . | 65 |
| Color T emp | 3,000 |
| Lumens | 850 |
| CRI | 83 |
| Base | Medium |
| Power Factor | 0.9 |
| Input V oltag e | 120V |
| Length | 132 |
| Diameter | 95 |
| Dimmable | 5%-100% |
| Rated Life hours | Average Rated Life:50,000hrs. Energy Star Rating:35,000 hrs. |
| Energy Star | Yes |



Polar Luminous Intensity Distribution



Average beam angle(50%):118.6°DEG

All luminous intensity values shown radially from centre are in cd.
Elevation angle values are shown around the outside of the graph.

