

LED A19 LAMP 9 W att



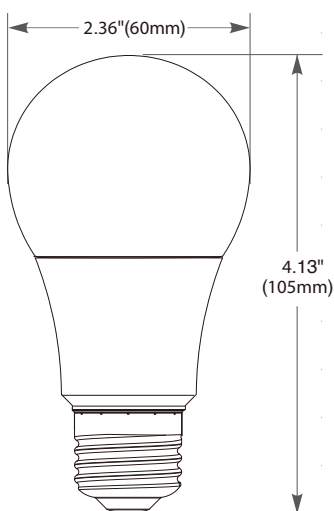
Application

- Living Rooms
- Dens
- Bedrooms
- Dining Rooms
- Kitchens
- Offices

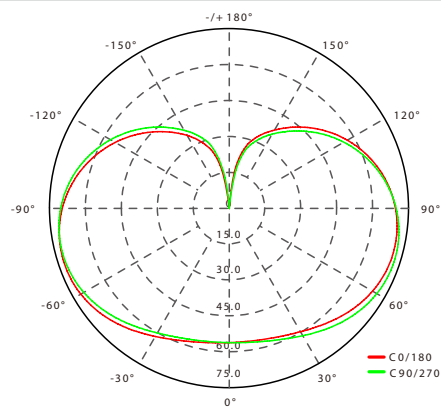
Advantages

- 220 degree beam angle
- Close to traditional incandescent bulbs
- Finless thermal design

| | |
|------------------|---|
| Product Code | LA1900950HL |
| Watts | 9.0 |
| Watts Equiv . | 100 |
| Color T emp | 5,000 |
| Lumens | 800 |
| CRI | 80 |
| Base | Medium |
| Power Factor | 0.7 |
| Input V oltag e | 120V |
| Length | 4.13"(105mm) |
| Diameter | 2.36"(60mm) |
| Dimmable | 10%-100% |
| Rated Life hours | Average Rated Life:50,000hrs. Energy Star Rating:15,000 hrs. |
| Energy Star | Yes |



Polar Luminous Intensity Distribution



Average beam angle
(50%):220 °

All luminous intensity values shown radially from centre are in cd.
Elevation angle values are shown around the outside of the graph.

