

5" & 6" LED Retrofit kits

14 Watt



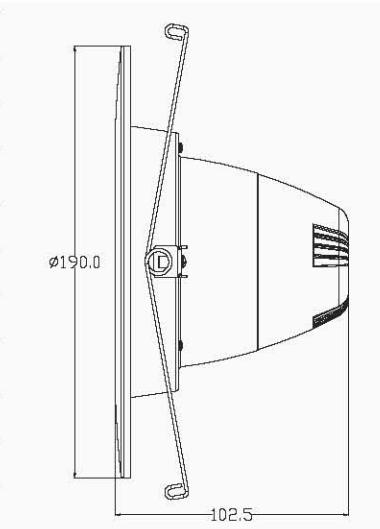
Application

- Kitchen
- Shopping Mall
- Art Gallery
- Museum
- Hospital
- Offices

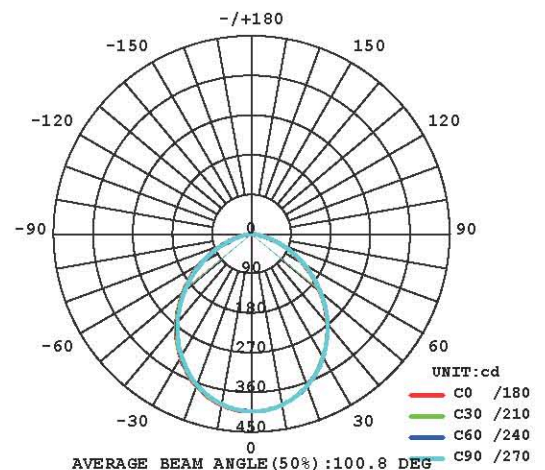
Advantages

- Anti-glared design with Baffle
- High output brightness
- Excellent color consistency with 80CRI and 90CRI

Product Code	LDL601430
Watts	14
Watts Equiv.	90
Color Temp	3,000
Lumens	1,000
CRI	93
Base	Medium
Power Factor	0.96
Input Voltage	120V
Length	102.5
Diameter	190
Dimmable	10%-100%



Polar Luminous Intensity Distribution



All luminous intensity values (shown radially from centre) are in cd. Elevation angle values are shown around the outside of the graph.

Energy Star Yes

